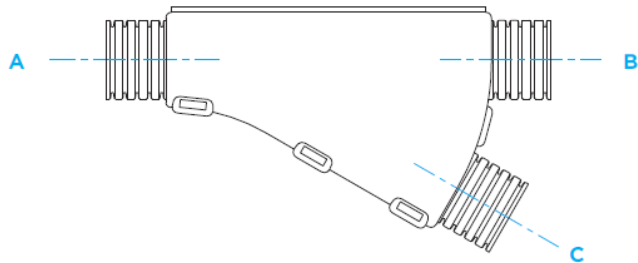


External Hinged Y-piece



Description

One-piece symmetrical 3 junction fittings providing a variety of conduit size combinations.

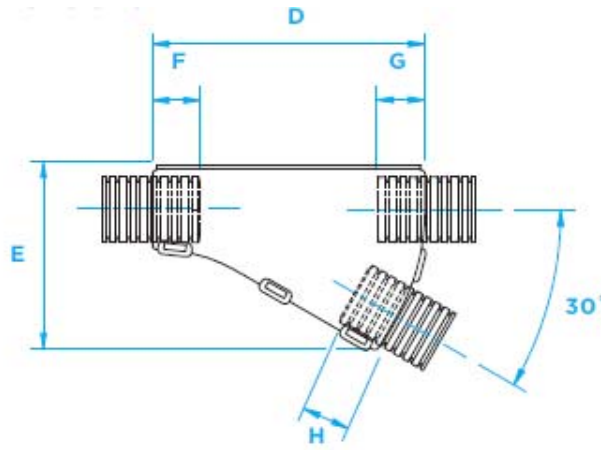
These fittings are designed to snap together over different types of slit and unslit conduit thus maintaining maximum conduit bore.

When used with slit conduit, hinged fittings enable cables to be slotted into a harness rather than fed through, thereby reducing installation time.

Part Number	Conduit Sizes Hilcon		
	A	B	C
HTP-Z-YPS080808	8	8	8
HTP-Z-YPS080812	8	8	12
HTP-Z-YPS081208	8	12	8
HTP-Z-YPS101010	10	10	10
HTP-Z-YPS120810	12	8	10
HTP-Z-YPS120810	12	8	10
HTP-Z-YPS121010	12	10	10
HTP-Z-YPS121208	12	12	8
HTP-Z-YPS121210	12	12	10
HTP-Z-YPS121212	12	12	12
HTP-Z-YPS160812	16	8	12
HTP-Z-YPS161010	16	10	10
HTP-Z-YPS161208	16	12	08
HTP-Z-YPS161210	16	12	10
HTP-Z-YPS161212	16	12	12
HTP-Z-YPS161608	16	16	8
HTP-Z-YPS161610	16	16	10
HTP-Z-YPS161612	16	16	12
HTP-Z-YPS200808	20	8	8
HTP-Z-YPS201208	20	12	8
HTP-Z-YPS201210	20	12	10
HTP-Z-YPS201212	20	12	12
HTP-Z-YPS201608	20	16	8
HTP-Z-YPS201612	20	16	12
HTP-Z-YPS201616	20	16	16
HTP-Z-YPS202008	20	20	8
HTP-Z-YPS202010	20	20	10
HTP-Z-YPS202012	20	20	12
HTP-Z-YPS202016	20	20	16
HTP-Z-YPS252012	25	20	12

Part Number	Conduit Sizes Hilcon		
	A	B	C
HTP-Z-YPS252016	25	20	16
HTP-Z-YPS252020	25	20	20
HTP-Z-YPS252508	25	25	8
HTP-Z-YPS252510	25	25	10
HTP-Z-YPS252512	25	25	12
HTP-Z-YPS252516	25	25	16
HTP-Z-YPS252520	25	25	20
HTP-Z-YPS252525	25	25	25
HTP-Z-YPS282012	28	20	12
HTP-Z-YPS282016	28	20	16
HTP-Z-YPS282020	28	20	20
HTP-Z-YPS282512	28	25	12
HTP-Z-YPS282516	28	25	16
HTP-Z-YPS282520	28	25	20
HTP-Z-YPS282525	28	25	25
HTP-Z-YPS282808	28	28	8
HTP-Z-YPS282812	28	28	12
HTP-Z-YPS282816	28	28	16
HTP-Z-YPS282820	28	28	20
HTP-Z-YPS282825	28	28	25
HTP-Z-YPS282828	28	28	28
HTP-Z-YPS322032	32	20	32
HTP-Z-YPS322516	32	25	16
HTP-Z-YPS322520	32	25	20
HTP-Z-YPS322525	32	25	25
HTP-Z-YPS322532	32	25	32
HTP-Z-YPS323216	32	32	16
HTP-Z-YPS323220	32	32	20
HTP-Z-YPS323225	32	32	25
HTP-Z-YPS323232	32	32	32

External Y-piece dimensions



Part Number	Conduit Sizes Hilcon				
	D	E	F	G	H
HTP-Z-YPS080808	55	37	10	10	10
HTP-Z-YPS080812	55	37	10	10	10
HTP-Z-YPS081208	55	37	10	10	10
HTP-Z-YPS101010	55	37	10	10	10
HTP-Z-YPS120810	55	37	10	10	10
HTP-Z-YPS120810	55	37	10	10	10
HTP-Z-YPS121010	55	37	10	10	10
HTP-Z-YPS121208	55	37	10	10	10
HTP-Z-YPS121210	55	37	10	10	10
HTP-Z-YPS121212	55	37	10	10	10
HTP-Z-YPS160812	55	40	10	10	10
HTP-Z-YPS161010	55	40	10	10	10
HTP-Z-YPS161208	55	40	10	10	10
HTP-Z-YPS161210	55	40	10	10	10
HTP-Z-YPS161212	55	40	10	10	10
HTP-Z-YPS161608	55	40	10	10	10
HTP-Z-YPS161610	55	40	10	10	10
HTP-Z-YPS161612	55	40	10	10	10
HTP-Z-YPS200808	43	41	12	10	10
HTP-Z-YPS201208	43	41	12	10	10
HTP-Z-YPS201210	43	41	12	10	10
HTP-Z-YPS201212	43	41	12	10	10
HTP-Z-YPS201608	48	40	12	10	10
HTP-Z-YPS201612	48	40	12	10	10
HTP-Z-YPS201616	64	48	12	10	10
HTP-Z-YPS202008	56	45	12	10	10
HTP-Z-YPS202010	58	45	12	12	10
HTP-Z-YPS202012	58	45	12	12	10
HTP-Z-YPS202016	64	48	12	12	10
HTP-Z-YPS252012	54	49	13	12	10

Part Number	Conduit Sizes Hilcon				
	D	E	F	G	H
HTP-Z-YPS252016	54	49	13	12	10
HTP-Z-YPS252020	54	49	13	12	12
HTP-Z-YPS252508	67	56	13	12	10
HTP-Z-YPS252510	67	56	13	13	10
HTP-Z-YPS252512	67	56	13	13	10
HTP-Z-YPS252516	67	56	13	13	10
HTP-Z-YPS252520	77	60	13	13	12
HTP-Z-YPS252525	91	67	13	13	13
HTP-Z-YPS282012	54	49	13	12	10
HTP-Z-YPS282016	54	49	13	12	10
HTP-Z-YPS282020	54	49	13	12	12
HTP-Z-YPS282512	67	56	13	13	10
HTP-Z-YPS282516	67	56	13	13	10
HTP-Z-YPS282520	77	60	13	13	12
HTP-Z-YPS282525	91	67	13	13	13
HTP-Z-YPS282808	67	56	13	13	10
HTP-Z-YPS282812	67	56	13	13	10
HTP-Z-YPS282816	67	56	13	13	10
HTP-Z-YPS282820	77	60	13	13	12
HTP-Z-YPS282825	91	67	13	13	13
HTP-Z-YPS282828	91	67	13	13	13
HTP-Z-YPS322032	100	77	13	12	13
HTP-Z-YPS322516	100	75	13	13	10
HTP-Z-YPS322520	100	76	13	13	12
HTP-Z-YPS322525	100	77	13	13	13
HTP-Z-YPS322532	100	77	13	13	13
HTP-Z-YPS323216	100	75	13	13	10
HTP-Z-YPS323220	100	76	13	13	12
HTP-Z-YPS323225	100	77	13	13	13
HTP-Z-YPS323232	100	77	13	13	13

www.hilltop-products.co.uk
Tel: 01942 723101