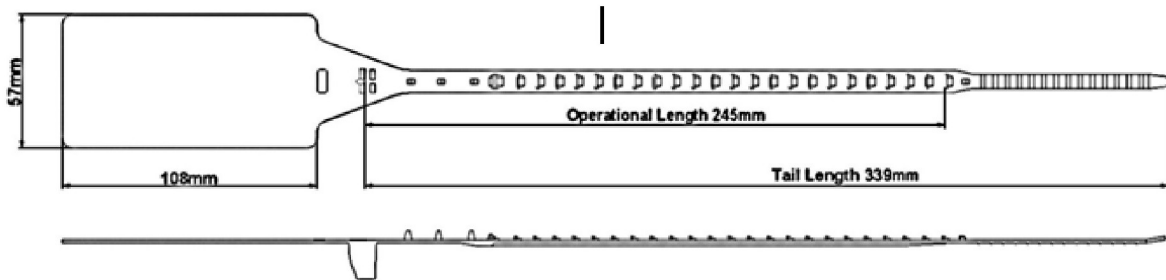
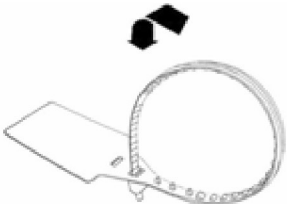


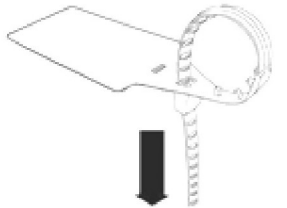
PLASTIC INDICATIVE RANGE

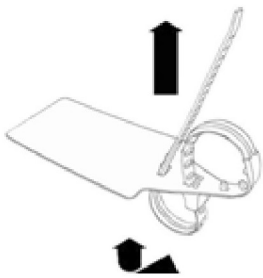
PRODUCT: BIG FLAG SEAL

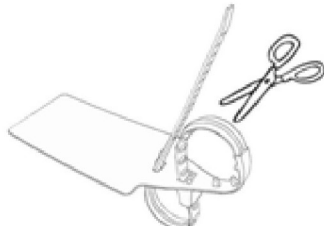


Measurements in mm

- 

1. Loop the tail around the item to be sealed.
- 

2. Insert tail end through locking chamber and pull tight.
- 

3. Tuck away excess tail if necessary using the slot at the base of the flag.
- 

4. Remove seal by cutting tail with appropriate cutters.

Strong Pull Thru indicative seal.

Polypropylene material.

The large, unprinted tag is suitable for affixing self adhesive labels or for marking with permanent marker.

Excess tail length can be looped back through a tab slot. For customised labels for this seal, please contact us.

Tag Size: 108mm x 57mm

Pull Strength (average): approx. 205 (equivalent to ~21kg)

Recommended Operational Temperature Range*: 0°C to +50°C (NB: all material is increasingly brittle with decreasing temp.)

Packaging: 500 per Box, 541x381x302 6.1kg